

WHIRLWINDTM REGENERATIVE BLOWERS

WWW.WHIRLWINDREGENERATIVEBLOWERS.COM



18-MONTH WARRANTY

The WhirlwindTM Regenerative Blower is a rugged and dependable blower pump and the ideal solution for moving large volumes of air for high vacuum or compressed air applications.

The impeller is the only moving part in the Whirlwind Regenerative Blower and does not come in contact with the housing channels and is therefore "wear-free".

The Whirlwind Regenerative Blower can be mounted in any plane and with a dynamically balanced impeller generates little

Features

- Rugged construction, low maintenance
- Oilless operation - No lubrication required
- Mounted at any plane
- Balanced aluminum impeller
- Motor designed to last beyond competitor's limitations
- Dual voltage motor

Models

R4247

42 CFM (60 Hz), 47" H²O (60 Hz)
1" threaded inlet/outlet port

R5760

57 CFM (60 Hz), 60" H²O (60 Hz)
1-1/4" threaded inlet/outlet port

Superior replacement in a Bio-Microbics Fast Systems.

Order/Questions : 800-536-5564

Septic Services, INC.



WHIRLWIND REGENERATIVE BLOWERS™

The Whirlwind Regenerative Blower is a rugged and dependable blower pump and the ideal solution for moving large volumes of air for high vacuum or compressed air applications.

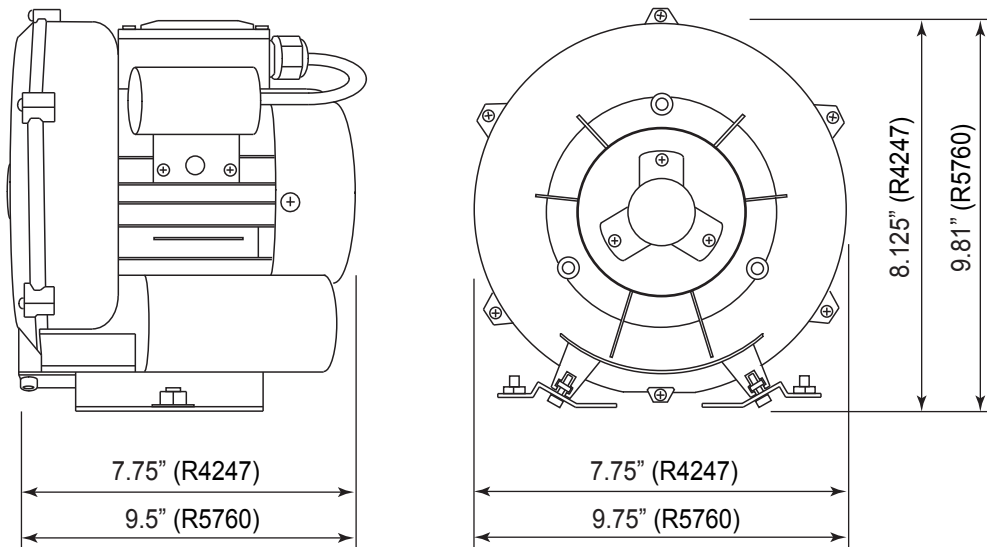
Features

- Rugged construction, low maintenance
- Oilless operation - No lubrication required
- Mounted at any plane
- Balanced aluminum impeller
- Dual voltage motor (115V - 220V)
- Prewired 18" cord (115V)

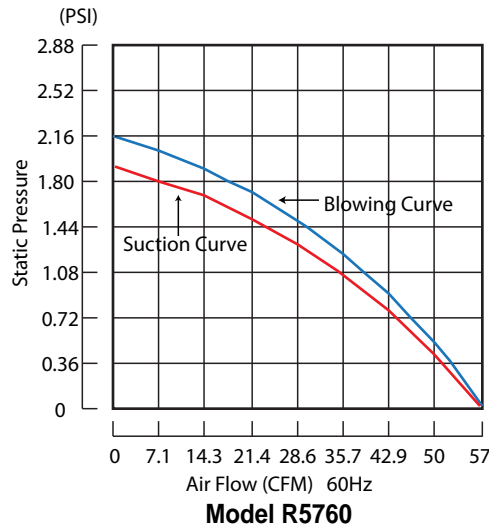
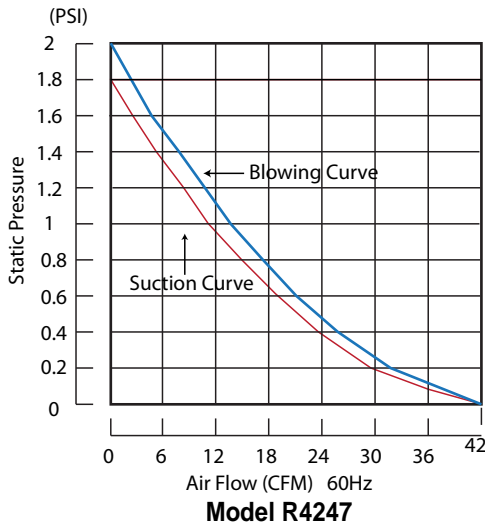
Specifications

	R4247	R5760
Max Air flow	42 cfm (60Hz)	57 cfm (60 Hz)
Max Pres in Water Depth	47" H ₂ O (60 Hz)	60" H ₂ O (60 Hz)
Max. Vacuum	43" H ₂ O (60 Hz)	55" H ₂ O (60 Hz)
PSI Max	1.4 to 1.7	1.88 to 2.17
Motor	1/4 HP	1/2 HP
Voltage	120/1PH, 220/1PH	120/1 Ph, 220/1 Ph
Amps	5.0 at 110-120V 2.5 at 220-240V	7.8 at 110-120V 3.9 at 220-240V
Unit Dimensions	7.87" x 7.04" x 8.38"	9.5" x 9.75" x 9.81"
Unit Weight	16.5 lbs.	28 lbs.

Unit Dimensions



Performance Curves



The information presented in charts is based on technical and test results of nominal units. It is believed to be accurate and is offered as an aid in selecting products. It is the user's responsibility to determine suitability of the product for intended use and the end user assumes all risk and liability whatsoever in connection therewith. Environmental and application conditions may affect life.

* MicroFAST is a registered trademark of Bio-Microbics., Inc.

Septic Services, Inc. reserves the right under its product improvement policy to change construction or design detail without obligation regarding previous models and to furnish equipment when so altered without reference to illustrations or specifications used here.